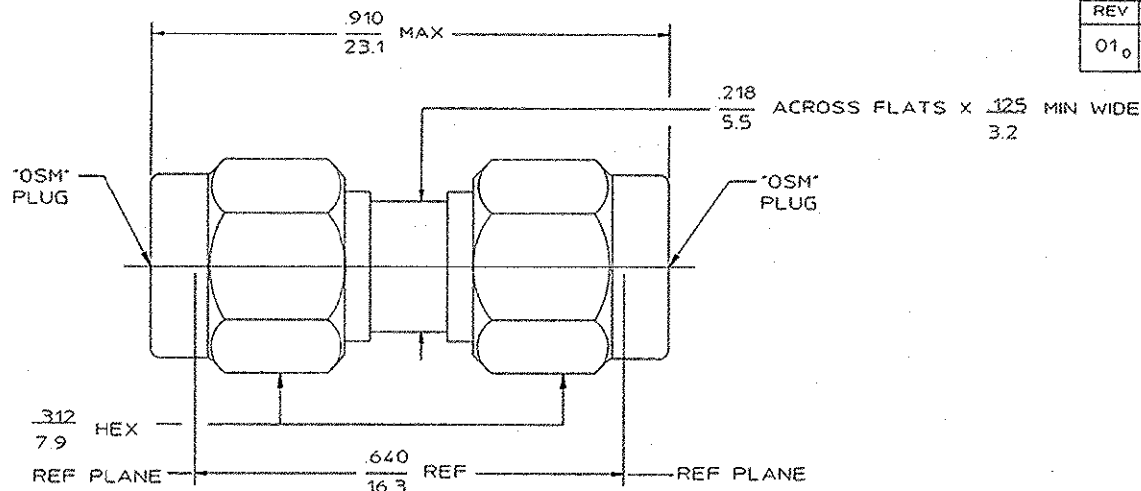



REVISIONS			
REV	DESCRIPTION	DATE	APPROVED
01	RELEASED	4/28/97	<i>RW</i>



COMPONENT	MATERIAL	FINISH
HOUSING COUPLING NUT	STAINLESS STEEL PER ASTM-A484 AND ASTM-A582, TYPE 303	PASSIVATE PER 00-P-35
DIELECTRIC	TFE FLUOROCARBON PER ASTM-D-1457	N/A
CENTER CONTACT	BERYLLIUM COPPER PER ASTM-B-196 OR ASTM-B-197, ALLOY C17300, CONDITION H	GOLD PLATE PER MIL-G-45204
RETAINING RING	BERYLLIUM COPPER PER ASTM-B-194, ALLOY C17200, CONDITION H	N/A
GASKET	SILICONE RUBBER PER ZZ-R-765	N/A

UNLESS OTHERWISE SPECIFIED DIMENSIONS ARE IN INCHES	DRAWN BY K. LE 1-8-97	 M/A-COM, Inc. Waltham, MA 02254								
FRAC DEC ANGLES 1/64 .005 ° °	CHECKED BY APPROVED BY <i>RW</i> 4/28/97									
These drawings and specifications are the property of M/A-COM Interconnect Div. and shall not be reproduced or copied or used in whole or in part as the basis for the manufacture or sale of a product without written permission.	USE ASSY PROCEDURE	<b>TITLE</b> "OSM" PLUG TO "OSM" PLUG ADAPTER M55339/29-30101								
	NO. AP N/A	<table border="1"> <tr> <td>SIZE B</td> <td>CODE IDENT NO. 26805</td> <td>2081-8101-92</td> <td>REV 01</td> </tr> <tr> <td>SCALE 5:1</td> <td colspan="2"></td> <td>SHEET 1 OF 1</td> </tr> </table>	SIZE B	CODE IDENT NO. 26805	2081-8101-92	REV 01	SCALE 5:1			SHEET 1 OF 1
SIZE B	CODE IDENT NO. 26805	2081-8101-92	REV 01							
SCALE 5:1			SHEET 1 OF 1							

ELECTRICAL	MECHANICAL	ENVIRONMENTAL
Nominal Impedance (Ohms) 50	Interface Dimensions MIL-STD-376A, Fig. 310-1	Temperature Rating -65 TO +165°C
Frequency Range (GHz) DC to 18	Recommended Mating Torque 7-10 IN-LBS	Vibration MIL-STD-202, Method 204, Condition D
Volt Rating (VRMS MAX) @ Sea Level 335	Mating Characteristics	Shock MIL-STD-202, Method 213, Condition I
VSWR 1.10 ± .008 (GHz) 0.5 TO 18 GHz	Insertion (MAX Lbs) 3.0	Thermal Shock MIL-STD-202, Method 107, Condition C
Insertion Loss (dB MAX) .06 (GHz) 0.6 GHz	Withdrawal (MIN Oz) 1.0	Moisture Resistance MIL-STD-202, Method 106
RF Leakage (dB MIN) -60, MIN 0.2-3 GHz	Force to Engage and Disengage (in-Lbs MAX) 2.0	Corrosion - MIL-STD-202, Method 101, Condition B, 5% salt spray
Corona, 70,000 Ft (VRMS MIN) 250	Center Contact Captivation	
Dielectric Withstanding Voltage (VRMS MIN) @ Sea Level 1,500	Axial (Lbs) 6.0	
Contact Resistance (Milliohms MAX)	Radial (in-Oz) N/A	
Center Contact 4.0	Cable Retention	
Outer Contact 2.0	Axial Force (Lbs) N/A	
Cable to Housing N/A	Torque (in-Oz) N/A	
RF High Potential @ Sea Level (VRMS MIN @ 5 MHz) 670	Weight (Grams) TBD	
IR (Megohms MIN) 5,000		

.XXX = in  
XX.X = mm (REF)

CUSTOMER

TYCO PART # 1053767  
SHEET 1 of 1 REV 0